

GARMIN®

GXM™ 54

Installation Instructions

Important Safety Information

⚠ WARNING

The weather information provided through this product is subject to service interruptions and may contain errors, inaccuracies, or outdated information, and consequently should not be relied upon exclusively. Always use common sense while navigating, and check alternate weather information sources prior to making safety-related decisions. You acknowledge and agree that you shall be solely responsible for use of the weather information and all decisions taken with respect to navigating in weather. Garmin® will not be responsible for any consequences of using SiriusXM® weather information.

When connecting the power cable, do not remove the inline fuse holder. To prevent the possibility of personal injury or product damage caused by fire or overheating, the appropriate fuse must be in place as indicated in the product specifications. Connecting the power cable without the appropriate fuse in place voids the product warranty.

⚠ CAUTION

To avoid possible personal injury, always wear safety goggles, ear protection, and a dust mask when drilling, cutting, or sanding.

NOTICE

When drilling or cutting, always check what is on the opposite side of the surface to avoid damaging the vessel.

Software Update

You must update the Garmin® chartplotter software when you install this device. For instructions on updating the software, see your chartplotter owner's manual at support.garmin.com.

Tools Needed

- Drill
- 3.2 mm (1/8 in.) drill bit for pilot holes for surface mounting
- 25 mm (1 in.) hole saw or drill bit for surface-mount cable hole
- 19 mm (3/4 in.) drill bit for pole-mount cable hole
- Countersink bit for surface mounting on fiberglass
- 1.5 mm hex wrench for included M3 screws
- Phillips screwdriver for included M4 screws
- M4 screws of appropriate length, if included M4 screws are too short
- Marine sealant (optional)
- Additional Garmin® Marine Network components as needed

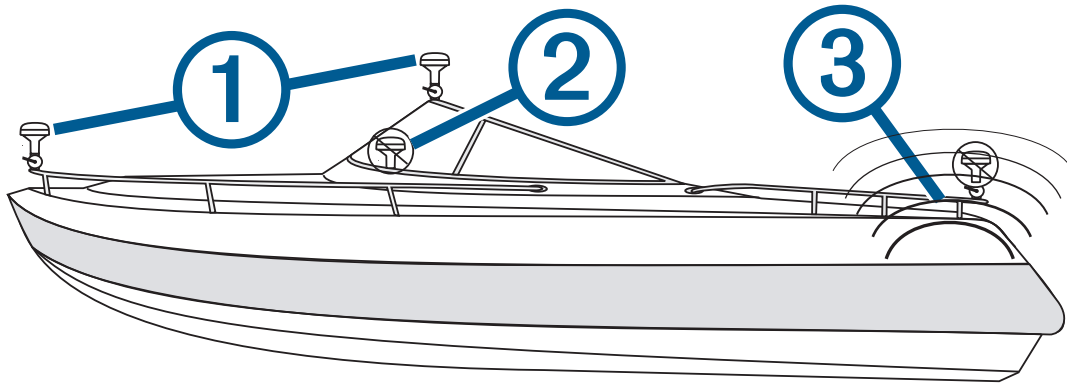
Antenna Mounting Considerations

NOTICE

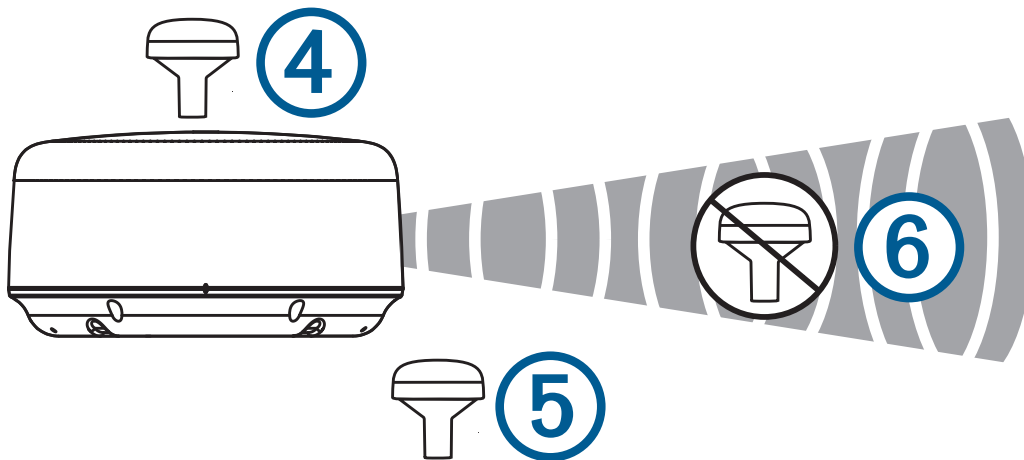
Do not install or store the antenna near strong magnets, including speakers. A strong magnetic field can damage the antenna.

You can mount the antenna on a flat surface or attach it to a standard 1 in. OD, 14 threads per inch, pipe-threaded pole (not included). You can route the cable outside of the pole or through the pole. For best performance, consider these guidelines when selecting the antenna mounting location.

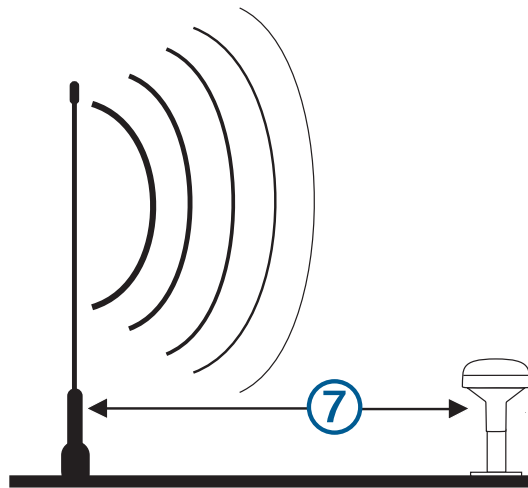
- To ensure the best reception, the antenna should be mounted in a location that has a clear, unobstructed view of the sky in all directions ①.



- The antenna should not be mounted where it is shaded by the superstructure of the boat ②, a radome antenna, or the mast.
- The antenna should not be mounted near the engine or other sources of Electromagnetic Interference (EMI) ③.
- The antenna should not be mounted near known ferrous metal objects such as a toolbox or compass.
- If a radar is present, the antenna should be mounted above the path of the radar ④. If necessary, the antenna may be mounted below the path of the radar ⑤.



- The antenna should not be mounted directly in the path of the radar ⑥.
- The antenna should not be mounted within 1 m (3 ft.) of a VHF radio antenna or the path of a radar ⑦.



Testing the Mounting Location

- 1 Temporarily secure the antenna in the preferred mounting location and test it for correct operation.
- 2 If you experience interference with other electronics, move the antenna to a different location, and test it again.
- 3 Repeat steps 1–2 until you observe full or acceptable signal strength.
- 4 Permanently mount the antenna.

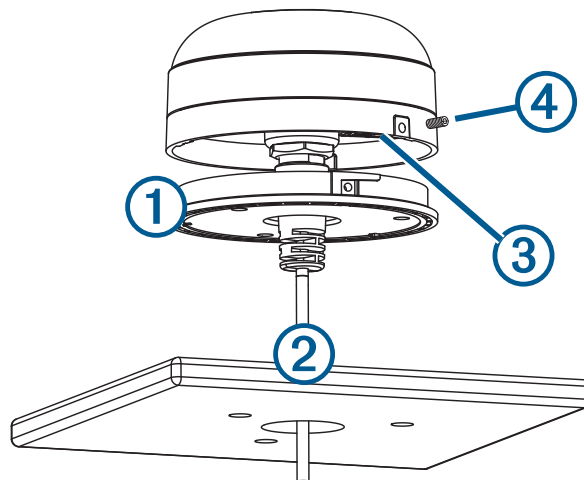
Surface Mounting the Antenna

NOTICE

If you are mounting the bracket on fiberglass with screws, it is recommended to use a countersink bit to drill a clearance counterbore through only the top gel-coat layer. This will help to avoid cracking in the gel-coat layer when the screws are tightened.

Before you permanently mount the antenna, you must test the mounting location for correct operation ([Testing the Mounting Location, page 3](#)).

- 1 Using the surface-mount bracket ① as your mounting template, mark the three pilot-hole locations and trace the cable-hole in the center of the bracket.



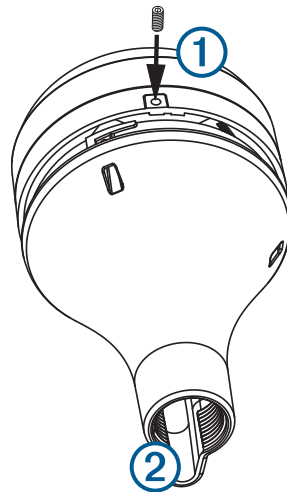
- 2 Set the surface-mount bracket aside.
Do not drill through the bracket.
- 3 Use a 3.2 mm ($1/8$ in.) drill bit to drill the three pilot holes.
- 4 Use a 25 mm (1 in.) drill bit or hole saw to drill or cut the cable hole in the center.

- 5 Use the included M4 screws and a Phillips screwdriver to secure the surface-mount bracket to the mounting surface.
If the included M4 screws are too short, use M4 screws of appropriate length.
- 6 Route the cable ② through the center hole, and connect it to the antenna.
- 7 Verify the large gasket ③ is in place on the bottom of the antenna, place the antenna on the surface-mount bracket, and twist it clockwise to lock it in place.
- 8 Use the M3 set screw and a 1.5 mm hex wrench to secure the antenna to the mounting bracket ④.
- 9 Route the cable away from sources of electronic interference.

Mounting the Antenna with the Cable Routed Through the Pole

Before you permanently mount the antenna, you must test the mounting location for correct operation (*Testing the Mounting Location, page 3*).

- 1 Position a standard 1 in. OD, 14 threads per inch, pipe-threaded pole (not included) in the selected location, and mark the approximate center of the pole.
- 2 Use a 19 mm ($\frac{3}{4}$ in.) drill bit to drill a hole for the cable to pass through.
- 3 Fasten the pole to the boat.
- 4 Thread the pole-mount adapter onto the pole.
Do not overtighten the adapter.
- 5 Route the cable through the pole and connect it to the antenna.
- 6 Place the antenna on the pole-mount adapter and twist it clockwise to lock it in place.
- 7 Use the included M3 set screw and a 1.5 mm hex wrench to secure the antenna to the adapter ①.

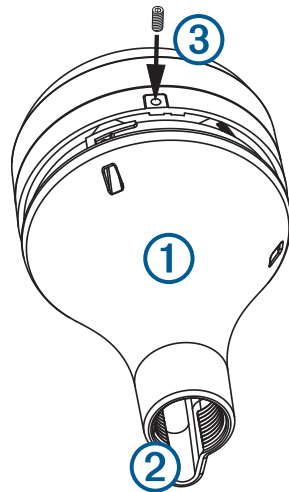


- 8 With the antenna installed on the pole mount, fill the vertical cable slot ② with a marine sealant (optional).
- 9 Route the cable away from sources of electronic interference.

Mounting the Antenna with the Cable Routed Outside the Pole

Before you permanently mount the antenna, you must test the mounting location for correct operation (*Testing the Mounting Location, page 3*).

- 1 Route the cable through the pole-mount adapter ①, and place the cable in the vertical slot ② along the base of the pole-mount adapter.



- 2 Screw the pole-mount adapter onto a standard 1 in. OD, 14 threads per inch, pipe-threaded pole (not included).
Do not overtighten the adapter on the pole.
- 3 Connect the cable to the antenna.
- 4 Place the antenna on the pole-mount adapter and twist it clockwise to lock it in place.
- 5 Use the included M3 set screw and a 1.5 mm hex wrench to secure the antenna to the adapter ③.
- 6 With the antenna installed on the pole mount, fill the remaining gap in the vertical cable slot with a marine sealant (optional).
- 7 Attach the pole to the boat if it is not already attached.
- 8 Route the cable away from sources of electronic interference.

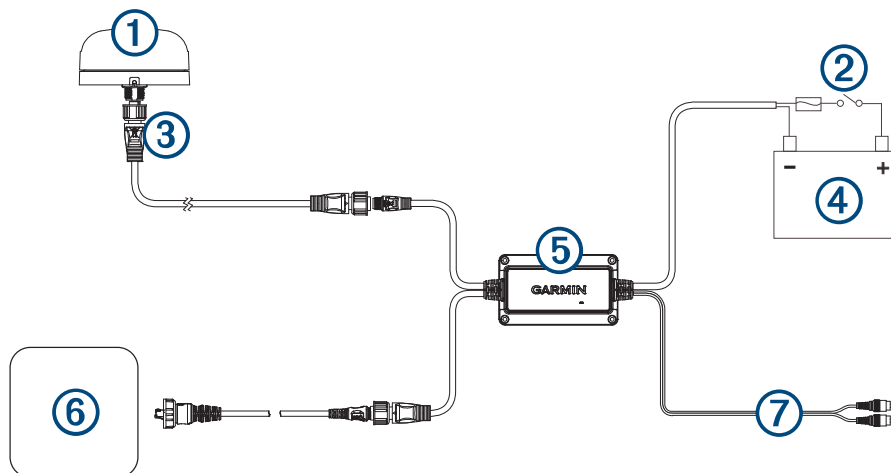
Connection Considerations

NOTICE

If you are connecting the audio cable from the wiring harness, you must connect it to the line-in or auxiliary port on a stereo. Attempting to connect the audio cable directly to a speaker will result in poor performance, and it may cause the antenna to shut down, which might damage the antenna or the speaker.

You must connect this antenna to power and to the Garmin BlueNet™ or Garmin® Marine Network to provide weather information to connected, compatible Garmin devices.

For more information about the differences between Garmin BlueNet network technology and the legacy Garmin Marine Network, go to garmin.com/manuals/bluenet.



Item	Description	Notes
①	Antenna	
②	Ignition or in-line switch (not included)	You should connect the power and audio module to the battery through the ignition switch or through an additional in-line switch (not included). Connecting the harness directly to the battery may drain the battery.
③	Antenna cable	This cable connects the antenna to the power audio module, and is 6 m (20 ft.) long. This cable is the same as a standard Garmin BlueNet cable (small connector on both ends), and additional lengths are available from your Garmin dealer or garmin.com if needed.
④	9 to 32 Vdc power source	
⑤	Power and audio module	You should install the module in a location with access to power, the installed antenna, and a Garmin Marine Network device. You can secure the module to existing cabling or a structure using zip ties (not included), or you can secure it to a bulkhead using the included screws.
⑥	Garmin BlueNet or Garmin Marine network device	If you are connecting this cable to a legacy Garmin Marine Network, you can connect it to any open port on a Garmin chartplotter or GMS™ 10 network port expander. If you are connecting this cable to a Garmin BlueNet network, you should remove the adapter cable and connect it to any open Garmin BlueNet network port on a Garmin chartplotter or Garmin BlueNet 20 switch.
⑦	Audio out cable	Connects to the line-in or auxiliary port on a stereo to listen to SiriusXM® stations. You can extend this cable using a standard RCA cable if necessary. Extension-cable connections should be made in a protected area that is not exposed to water.

Activating a SiriusXM® Subscription

- With the SiriusXM source selected, tune to channel 1.
You should be able to hear the preview channel. If not, check the SiriusXM Connect Tuner and antenna installation and connections, and try again.
- Tune to channel 0 to locate the Radio ID.
- Contact SiriusXM listener care by phone at (866) 635-2349 or go to www.siriusxm.com/activatenow to subscribe in the United States. Contact SiriusXM by phone at (877) 438-9677 or go to www.siriusxm.ca/activatexm to subscribe in Canada.
- Provide the Radio ID.
The activation process usually takes 10 to 15 minutes, but can take up to an hour. For the SiriusXM Connect Tuner to receive the activation message, it must be turned on and receiving the SiriusXM signal.
- If the service is not activated within the hour, go to <http://care.siriusxm.com/refresh> or contact SiriusXM Listener Care by phone at 1-866-635-2349.

Appendix

Specifications

Measurement	Specification
Dimensions (diameter x height)	91.6 × 49.5 mm (3.61 × 1.95 in.)
Weight	221 g (7.8 oz)
Operating temperature range	From -30° to 70°C (from -22° to 158°F)
Storage temperature range	From -35° to 85°C (from -31° to 185°F)
Case material	Fully gasketed, plastic and die-cast aluminum
Water rating	IEC 60529 IPX7 ¹
Power input source	From 9 to 32 Vdc
Input current	500 mA max. at 12 Vdc

¹ The device withstands incidental exposure to water of up to 1 m for up to 30 min. For more information, go to www.garmin.com/waterrating.

Measurement	Specification
Fuse	32 V, 2 A, inline, fast-blow
Antenna cable length	6 m (20 ft)
Power cable length	2 m (6.5 ft.)
Garmin® Marine Network cable length	2 m (6.5 ft.)
Audio cable length	2 m (6.5 ft.)

Acknowledgment

Garmin® SHALL HAVE NO LIABILITY IF CHANGES IN THE SERVICE PROVIDER'S SUBSCRIPTION OFFERING NEGATIVELY IMPACTS OR RENDERS IMPOSSIBLE THE USE OF PURCHASED Garmin HARDWARE EQUIPMENT WITH THE SERVICE PROVIDER'S OFFERING IN THE FUTURE.

THE USER AGREES THAT THE SiriusXM® WEATHER SERVICE OFFERING IS PROVIDED "AS IS", THAT YOUR Garmin HARDWARE EQUIPMENT ONLY ALLOWS THE DISPLAY OF SUCH SERVICE OFFERING, AND THAT ANY CHANGES BY THE SERVICE PROVIDER MAY INTERFERE WITH THE ABILITY OF YOUR Garmin HARDWARE EQUIPMENT TO RECEIVE OR DISPLAY SUCH SERVICE OFFERING. FURTHER, SUCH SERVICE OFFERING CONTAINS INFORMATION FURNISHED BY OTHERS WHO ARE NOT UNDER THE CONTROL OF Garmin, AND THEREFORE THE SERVICE OFFERING IS ACCORDINGLY FURNISHED WITHOUT ANY WARRANTY OF Garmin, EXPRESS OR IMPLIED, INCLUDING WITHOUT LIMITATION, IMPLIED WARRANTIES OF MERCHANTABILITY AND FITNESS FOR A PARTICULAR PURPOSE.

FCC Compliance

This device complies with part 15 of the FCC Rules. Operation is subject to the following two conditions: (1) this device may not cause harmful interference, and (2) this device must accept any interference received, including interference that may cause undesired operation.

This equipment has been tested and found to comply with the limits for a Class B digital device, pursuant to part 15 of the FCC rules. These limits are designed to provide reasonable protection against harmful interference in a residential installation. This equipment generates, uses, and can radiate radio frequency energy and may cause harmful interference to radio communications if not installed and used in accordance with the instructions. However, there is no guarantee that interference will not occur in a particular installation. If this equipment does cause harmful interference to radio or television reception, which can be determined by turning the equipment off and on, the user is encouraged to try to correct the interference by one of the following measures:

- Reorient or relocate the receiving antenna.
- Increase the separation between the equipment and the receiver.
- Connect the equipment into an outlet on a circuit different from that to which the receiver is connected.
- Consult the dealer or an experienced radio/TV technician for help.

This product does not contain any user-serviceable parts. Repairs should only be made by an authorized Garmin® service center. Unauthorized repairs or modifications could result in permanent damage to the equipment, and void your warranty and your authority to operate this device under Part 15 regulations.

Innovation, Science and Economic Development Canada Compliance

This device contains licence-exempt transmitter(s)/receiver(s) that comply with Innovation, Science and Economic Development Canada's licence-exempt RSS(s). Operation is subject to the following two conditions: (1) this device may not cause interference, and (2) this device must accept any interference, including interference that may cause undesired operation of the device.

Limited Warranty

The Garmin® standard limited warranty applies to this accessory. For more information, go to garmin.com/support/warranty.

Australian Purchases: Our goods come with guarantees that cannot be excluded under the Australian Consumer Law. You are entitled to a replacement or refund for a major failure and for compensation for any other reasonably foreseeable loss or damage. You are also entitled to have the goods repaired or replaced if the goods fail to be of acceptable quality and the failure does not amount to a major failure. The benefits under our Limited Warranty are in addition to other rights and remedies under applicable law in relation to the products. Garmin Australasia, 30 Clay Place, Eastern Creek, NSW 2766, Australia. Phone: 1800 235 822.

© 2026 Garmin Ltd. or its subsidiaries

Garmin® and the Garmin logo are trademarks of Garmin Ltd. or its subsidiaries, registered in the USA and other countries. GXM™ is a trademark of Garmin Ltd. or its subsidiaries. These trademarks may not be used without the express permission of Garmin.

SiriusXM® is a registered trademark of SiriusXM Radio Inc.

Apple® is a trademark of Apple Inc., registered in the U.S. and other countries. Android™ is a trademark of Google™ Inc. Wi-Fi® is a registered mark of Wi-Fi Alliance Corporation. Windows® is a registered trademark of Microsoft Corporation in the United States and other countries.

All other trademarks and copyrights are the property of their respective owners.

This product may include open source software. This source, and modifications thereto, may be freely found at developer.garmin.com.