

GARMIN®

ADJUSTABLE PERSPECTIVE SHAFT MOUNT FOR LIVESCOPE™ TRANSDUCERS

Installation Instructions

Attaching the LiveScope™ Transducer Perspective Mount

You can use this perspective mount to secure any LiveScope transducer to the side of your compatible trolling motor shaft or Spy pole.

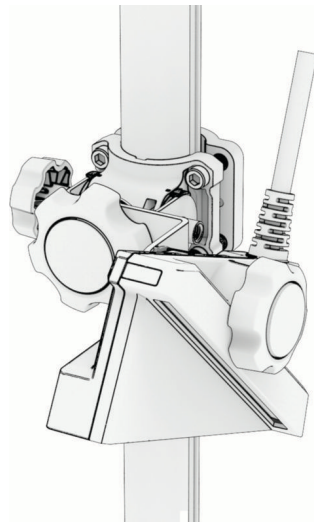
- 1 Locate the front half of the perspective mount, the four black screws, and the 5 mm hex wrench.
- 2 Select the appropriate back mount piece based on the device to which you are attaching the mount.
This kit includes a back piece for both a Garmin® trolling motor shaft (in bag J) and the Spy pole (in bag F). Each piece is also labeled with the intended device name written on the inside of the mount.
- 3 Place each half of the mount around the device shaft, and hand-tighten each screw.
- 4 After tightening the screws by hand, adjust the height of the mount and fully tighten the screws with the hex wrench.

Connecting a LiveScope™ Transducer to the Perspective Mount

Before you connect a LiveScope transducer to the perspective mount, you should route the transducer cables up the shaft that houses the perspective mount. See the installation instructions for your Spy pole or trolling motor at support.garmin.com for more information.

This kit includes hardware that allows you to easily attach a LiveScope transducer to the perspective mount. To install a LiveScopeLVS32 transducer, see the next section.

- 1 Select the appropriate adapter disc and knob for your LiveScope transducer model.
The bag for each disc is labeled with the LiveScope transducer model number.
If you are using the LiveScope transducer perspective mount on a Spy pole shaft that is installed on a trolling motor, you cannot mount a LiveScope LVS62 transducer using this mount. In this situation, you should mount the LiveScope LVS62 transducer to the bottom of the Spy pole shaft with the adjustable perspective bottom mount for LiveScope transducers.
- 2 Remove the plastic coating on the back of the adapter disc, and attach it to the end flange on the perspective mount.
- 3 Feed the adapter knob through the transducer.
- 4 Hand-tighten the adapter knob into the perspective mount until the LiveScope transducer is tight against the adapter disc.



To change the angle of the transducer, loosen the knob, adjust the angle, and then tighten the knob again to secure it.

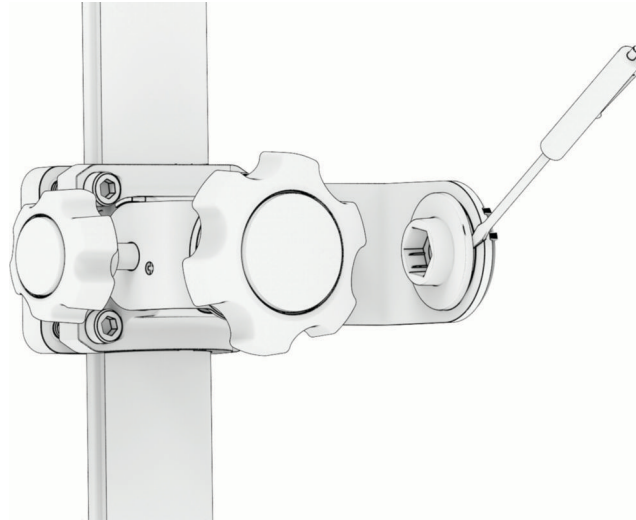
Connecting a LiveScope™ LVS32 Transducer to the Perspective Mount

Before you connect a LiveScope transducer to the perspective mount, you should route the transducer cables up the shaft that houses the perspective mount. See the installation instructions for your Spy pole or trolling motor at support.garmin.com for more information.

This kit includes hardware that allows you to attach an LVS32 LiveScope transducer to the perspective mount.

- 1 Using a flat pry tool, peel off the lock nut and housing from the end of the mounting bracket on the perspective mount.

There is a small notch in the lock nut housing for you to insert your pry tool.



- 2 Select the appropriate adapter disc and screw for your LiveScope transducer model. The bag for each disc is labeled with the LiveScope transducer model number.
- 3 Remove the plastic coating on the back of the adapter disc, and attach it to the end flange on the perspective mount.
- 4 Slide the washer onto the screw.
- 5 Feed the screw through the perspective mount and into the LiveScope transducer.
- 6 Adjust the angle of the transducer, and tighten the screw using the included 5 mm hex wrench.

© 2026 Garmin Ltd. or its subsidiaries

Garmin® and the Garmin logo are trademarks of Garmin Ltd. or its subsidiaries, registered in the USA and other countries. These trademarks may not be used without the express permission of Garmin.

LiveScope™ and Spy™ are trademarks of Garmin Ltd. or its subsidiaries. These trademarks may not be used without the express permission of Garmin.