

# GARMIN®

## GARMIN AIS™ 800

### Installation Instructions

## Important Safety Information

### ⚠ WARNING

See the *Important Safety and Product Information* guide in the product box for product warnings and other important information.

### ⚠ CAUTION

To avoid possible personal injury, always wear safety goggles, ear protection, and a dust mask when drilling, cutting, or sanding.

To avoid possible personal injury or damage to the device and vessel, disconnect the vessel's power supply before beginning to install the device.

To avoid possible personal injury or damage to this device and vessel, only install this device when the vessel is on land, or when properly secured and docked in calm water conditions.

### NOTICE

When drilling or cutting, always check what is on the opposite side of the surface to avoid damaging the vessel.

## FCC Compliance

### NOTICE

In the USA, it is prohibited under FCC regulations to enter incorrect or improper data, and it is prohibited for any person other than the manufacturer or the installing dealer to input an MMSI number.

It is a violation of the rules of the FCC to input an MMSI number that has not been properly assigned to the user, or to otherwise input any inaccurate data in this device.

## Assigning Data to the Device

### ⚠ WARNING

When programmed with a valid MMSI number, this device allows you to transmit AIS signals with vessel position data. This device is meant to enhance situational awareness and may not prevent vessel collisions in all circumstances. It is your obligation to be aware of your surroundings and to ensure safe operation of the vessel.

### ⚠ CAUTION

You must program the Garmin AIS™ 800 device with a valid vessel MMSI number before installing the device on your boat. By default, the device operates in silent mode until you program the device with a valid vessel MMSI number. In silent mode, the device receives, but does not transmit, AIS signals with position data. You can program the device to transmit static vessel data including the vessel name, call sign, type, and dimensions, including the location of the vessel's GPS antenna.

You can program the device to transmit vessel position data and static vessel data including the vessel name, call sign, type, dimensions, and the location of the vessel's GPS antenna. It is also possible to temporarily revert to silent mode (only receives, but does not transmit, vessel data) by means of a toggle switch (not included) (*Connecting the Device to Power, page 4*).

## Installing the Garmin AIS™ 800 Software on Your Computer

- 1 Go to [garmin.com/AIS800](http://garmin.com/AIS800), select **Software**, and download the .zip file to your computer.
- 2 Connect the included USB cable to your computer and the USB port on the Garmin AIS 800 device.

**NOTE:** While you program with the USB cable, you may need to disconnect all other cables from the Garmin AIS 800 device to prevent a ground loop between the computer and your vessel power.



- 3 Double-click the .exe file, and follow the on-screen instructions.

## Programming the Garmin AIS™ 800

Before the device can be used on a boat, it must be programmed with a unique MMSI number and with additional vessel-specific static data. The MMSI number must be programmed by an authorized marine electronics dealer or installer.

Before you can program the device, you must install the Garmin AIS 800 software on your computer (*Installing the Garmin AIS™ 800 Software on Your Computer*, page 1).

- 1 In the program, select the **Static data** tab.
- 2 In the **Connection and Status** window, select a **COM** port from the drop-down list.
- 3 Select **Connect**.
- 4 Enter your ship name, call sign, dimensions, vessel type, and MMSI number (*Assigning an MMSI Number to the Garmin AIS™ 800*, page 2).
- 5 Select **Save data to AIS 800**.  
The data is lost if the Garmin AIS 800 device is turned off. You must select Save data to AIS 800 to permanently save your data.
- 6 Select **File > Exit**.

## Assigning an MMSI Number to the Garmin AIS™ 800

- 1 Launch the Garmin AIS 800 setup software.
- 2 In the **Connection and Status** window, select a **COM** port from the drop-down list.
- 3 Select **Connect**.
- 4 In the **Static Data** window, enter your nine-digit MMSI number in the **MMSI Number** field.

### NOTICE

You cannot change the MMSI number after you assign the MMSI number to your boat. If you assign an incorrect MMSI number, you must return the device to the manufacturer for a factory reset.

- 5 Select **Save data to AIS 800**.

## Tools Needed

- Drill
- Drill bits appropriate for the surface and hardware
- Phillips screwdriver
- Pencil

## Mounting Considerations

### NOTICE

This device should be mounted in a location that is not exposed to extreme temperatures or conditions. The temperature range for this device is listed in the product specifications. Extended exposure to temperatures exceeding the specified temperature range, in storage or operating conditions, may cause device failure. Extreme-temperature-induced damage and related consequences are not covered by the warranty.

- You must mount the device in a location where it will not be submerged.
- You must mount the device in a location with adequate ventilation where it will not be exposed to extreme temperatures.

For optimal internal GPS reception:

- You should mount the device in a location where it is above the water line when the ship is in the water.
- You should mount the device as far as possible, at least 20 cm (7.9 in.), from cables, electronics, metal objects, and other potential sources of GPS interference.
- If you mount the device in a boat with a metal hull, you must connect the device to an external GPS antenna (sold separately).
- If possible, you should mount the device horizontally, with the face of the device pointing upward or vertically with the LEDs facing upward. The GPS is most sensitive in these positions.

## VHF Antenna Mounting and EME Exposure

### ⚠ WARNING

Radio operators with cardiac pacemakers, life-support machines, or electrical medical equipment should not be exposed to excessive radio-frequency (RF) fields, because the RF field may interfere with the function of their medical equipment.

### ⚠ CAUTION

This device generates and radiates radio frequency (RF) electromagnetic energy (EME). Failure to observe these guidelines may expose people to RF radiation absorption exceeding the maximum permissible exposure (MPE).

Garmin® declares an MPE radius of 2.48 m (97.64 in.) for this system, which was determined using 5 W output to an omni-directional, 6 dBi gain antenna. The antenna should be installed to maintain a distance of 2.48 m (97.64 in.) between the antenna and all people.

## Mounting the Device

### NOTICE

If you are mounting the device in fiberglass, when drilling the pilot holes, use a countersink bit to drill a clearance counterbore through only the top gel-coat layer. This will help to avoid cracking in the gel-coat layer when the screws are tightened.

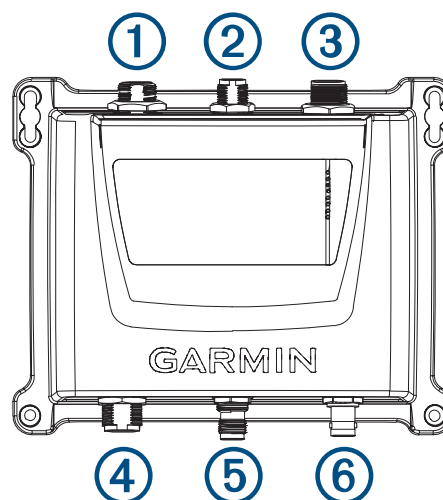
Before you mount the device, you must select a mounting location and determine the mounting hardware needed for the surface.

Mounting hardware is included with the device, but it may not be suitable for the mounting surface.

- 1 Place the device in the mounting location and mark the location of the pilot holes.
- 2 Using a bit appropriate for the surface and the mounting hardware, drill a pilot hole for one corner of the device.
- 3 Loosely fasten the device to the surface with one corner and examine the other three pilot-hole marks.
- 4 Mark new pilot-hole locations if necessary.
- 5 Remove the device from the mounting surface.
- 6 Drill the appropriate pilot holes for the other three marks.
- 7 Secure the device to the mounting location.

## Connection Considerations

### Device Ports



Item	Description
①	USB port <sup>1</sup>
②	NMEA 2000 <sup>®</sup>
③	Power and NMEA <sup>®</sup> 0183
④	AIS antenna (required, not included)
⑤	VHF radio (optional)
⑥	External GPS antenna (optional) <sup>2</sup>

## Connecting the Device to Power

### ⚠ WARNING

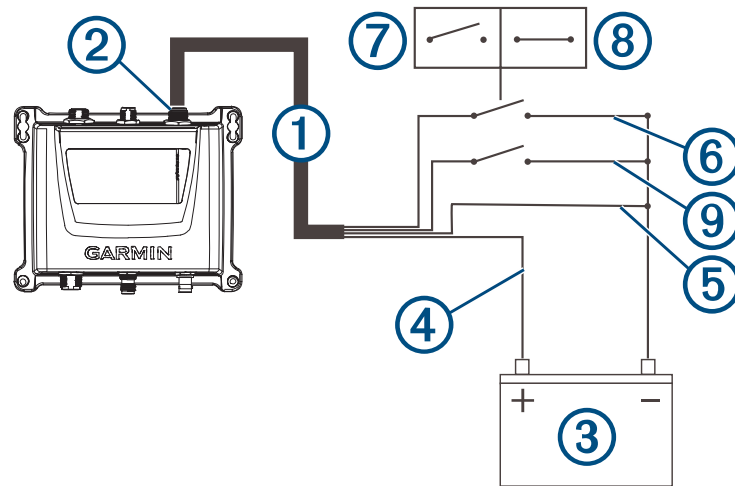
When programmed with a valid MMSI number, this device allows you to transmit AIS signals with vessel position data. This device is meant to enhance situational awareness and may not prevent vessel collisions in all circumstances. It is your obligation to be aware of your surroundings and to ensure safe operation of the vessel.

### ⚠ CAUTION

After installing the device and programming a valid vessel MMSI number, you can temporarily revert to the default silent mode (only receives, does not transmit) using a toggle switch (not included) ([Connecting the Device to Power, page 4](#)). While operating in silent mode, the device does not transmit AIS signals.

Four wires (red, black, green, and yellow) provide the basic power connection.

1 Route the wiring harness ① from the device POWER (and NMEA<sup>®</sup> 0183) port ② to the battery ③.



2 Connect the red wire ④ to the positive (+) battery terminal.

3 Connect the black wire ⑤ to the power ground on the negative (-) battery terminal.

4 Connect the green wire ⑥ to the power ground with a switch (not included) between the green wire and power ground, to provide a toggle ⑦, ⑧ switch to revert to the default silent mode (optional).

5 Complete an action, based on the network type:

- In a NMEA 0183 system, connect the yellow wire (Accessory On) ⑨ to the power ground, and install a switch (not included) between the yellow wire and the power ground.

### NOTICE

Turning off the switch prevents the device from draining the battery when the engine is off.

<sup>1</sup> Used with the included USB cable when connecting to a computer to program the device

<sup>2</sup> An external GPS antenna is required when the device is installed in a location where it cannot receive GPS signals, especially in metal-hulled vessels.

- In a NMEA 2000® system, the device automatically powers on and off with the system, and you do not need to connect the yellow Accessory On wire.

## Connecting an AIS Antenna

To transmit and receive signals, you must connect an external AIS antenna (not included) to the Garmin AIS™ 800 device.

For the best performance, you should use an AIS-specific antenna or a VHF antenna that is well-tuned at the AIS end of the band (VSWR 2:1 or less at 162MHz).

The device has an internal antenna splitter that allows sharing the same antenna with a VHF radio. When sharing the antenna, you cannot receive AIS updates while transmitting on the VHF radio.

- 1 Mount the antenna (not included) according to the installation instructions provided with the antenna.
- 2 Connect the antenna cable to the VHF ANT port.
- 3 Optionally, connect a VHF interconnect cable (sold separately, part number 010-12824-01) to the VHF RADIO port on the Garmin AIS 800 device and to the antenna port on a VHF radio to share the antenna with the VHF radio.

## NMEA 2000® Connections

### NOTICE

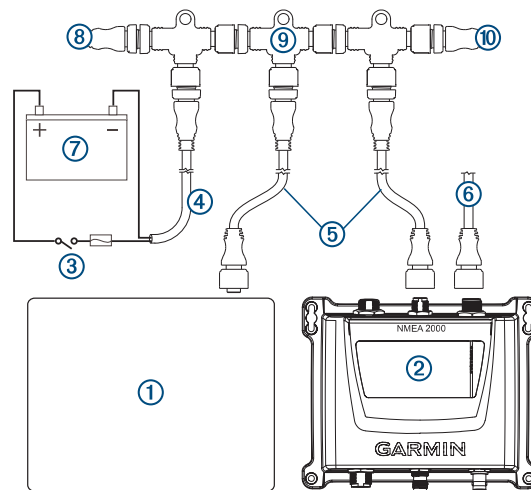
If you are installing a NMEA 2000 power cable, you must connect it to the boat ignition switch or through another in-line switch. NMEA 2000 devices will drain your battery if the NMEA 2000 power cable is connected to the battery directly.

If you are connecting to an **existing** NMEA 2000 network, identify the NMEA 2000 power cable. Only one NMEA 2000 power cable is required for the NMEA 2000 network to operate properly.

A NMEA 2000 Power Isolator (010-11580-00) should be used in installations where the existing NMEA 2000 network manufacturer is unknown.

This device is not powered through the NMEA 2000 network. You must connect the device to a power source ([Connecting the Device to Power, page 4](#)).

If you are unfamiliar with NMEA 2000, you should read the *Technical Reference for NMEA 2000 Products* at [garmin.com/manuals/nmea\\_2000](http://garmin.com/manuals/nmea_2000).



Item	Description
①	Compatible NMEA 2000 chartplotter or other device
②	Garmin AIS™ 800 device
③	Ignition or in-line switch
④	NMEA 2000 power cable
⑤	NMEA 2000 drop cable

Item	Description
⑥	Garmin AIS 800 device power connection ( <i>Connecting the Device to Power, page 4</i> )
⑦	12 Vdc power source
⑧	NMEA 2000 terminator or backbone cable
⑨	NMEA 2000 T-connector
⑩	NMEA 2000 terminator or backbone cable

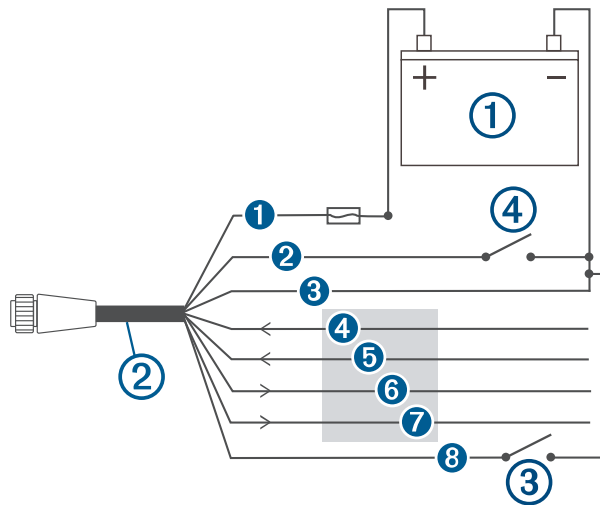
## NMEA® 0183 Device Connections

This diagram illustrates two-way connections for both sending and receiving data. You can also use this diagram for one-way communication.

To receive information from a NMEA 0183 device, refer to items ④ and ⑤ when connecting the Garmin® device.

To transmit information to a NMEA 0183 device, refer to items ⑥ and ⑦ when connecting the Garmin device.

For either NMEA 2000® or NMEA 0183 systems, refer to item ⑧ when making the basic power connections (*Assigning Data to the Device, page 1*), (*Connecting the Device to Power, page 4*).



Item	Description
①	12 Vdc power source
②	Power/NMEA 0183 cable
③	Optional switch (not included) <sup>3</sup>
④	Accessory On switch (not included) <sup>4</sup>

Wire	Garmin Wire Color	Garmin Wire Function
①	Red	Power
②	Yellow	Accessory On (NMEA 0183 systems)
③	Black	Power ground
④	Purple	RxA (+)
⑤	Gray	RxB (-)

<sup>3</sup> Connecting the green wire to the power ground with a switch (not included) provides a toggle to temporarily revert to silent mode (receives only, does not transmit).

<sup>4</sup> In NMEA 0183 systems, use the switch to power off the device when the boat engine is off, to avoid draining the battery.

Wire	Garmin Wire Color	Garmin Wire Function
6	Blue	TxA (+)
7	Brown	TxB (-)
8	Green	Silent mode (optional) <sup>5</sup>

## Status LEDs

LED	State	Description
VHF TX	Solid	A connected VHF radio is transmitting.
Error	Solid	The device has encountered a critical error. You can connect the device to a computer, and use the Garmin AIS™ 800 setup software to view detailed information about the warning condition.
SRM	Flashing	Reserved for future use.
Warning	Solid	The device detects a warning condition. You can connect the device to a computer, and use the Garmin AIS 800 setup software to view detailed information about the warning condition.
RX Only	Solid	The device is in silent mode or not ready to transmit. <b>NOTE:</b> The Garmin AIS 800 device does not transmit without a GPS signal or an MMSI number, when the AIS base station commands a quiet time, or when the device encounters a critical error.
TX	Flashing	The device is sending an AIS message.
RX	Flashing	The device is receiving an AIS message.
Power	Solid	The device is ready to transmit and receive.
VHF TX, Error, Warning, and Power.	Solid	When these four LEDs are illuminated, the device is connected only to a computer for programming by a USB cable.

## Connecting the Device to a Remote GPS Antenna

This device must receive GPS information for proper functionality. The device includes an internal GPS antenna. If your mounting location does not provide good GPS reception, you can install a remote GPS antenna (not included) and connect it to the device.

- 1 Follow the instructions provided with your external GPS antenna to install it on your boat correctly.
- 2 Route the GPS antenna cable to the back of your device, away from sources of electrical interference.
- 3 Connect the GPS antenna cable to the GPS ANT port on your device.

## Appendix

### Specifications

Dimensions (W x H x D)	175 x 142.3 x 54.5 mm (6.9 x 5.6 x 2.1 in.)
Weight	414 g (0.9 lbs.)
Operating temperature range	From -15° to 55°C (from 5° to 131°F)
Storage temperature range	From -20° to 75°C (from -4° to 167°F)
Water rating	IEC 605290 IPX7 <sup>6</sup>
Power input	12 to 24 Vdc, 2 A max.
Current draw	12 Vdc: less than 400 mA 24 Vdc: less than 250 mA
Fuse	5 A, 125 V fast-acting
NMEA 2000® LEN @ 9 Vdc	2

<sup>5</sup> Connecting the green wire to the power ground with a switch (not included) provides a toggle to temporarily revert to silent mode (receives only, does not transmit).

<sup>6</sup> The device withstands incidental exposure to water of up to 1 m for up to 30 min. For more information, go to [www.garmin.com/waterrating](http://www.garmin.com/waterrating).

Transmit power	5 W Class B, SOTDMA. Japan only: 2W Class B CSTDMA. (1 W remote switch-able by authorities)
Antenna port impedance	50 ohm
Wireless frequency/protocol	162 MHz @ 38 dBm maximum
Compass-safe distance	40 cm (15 <sup>3</sup> / <sub>4</sub> in.)

## NMEA 2000® PGN Information

### Transmit

PGN	Description
059392	ISO acknowledgment
060928	ISO address claim
126208	NMEA®: Command, request, acknowledge group function
126464	PGN list
126992	System time
126993	Heartbeat
126996	Product information
126998	Configuration information
129025	Position rapid update
129026	COG/SOG rapid update
129029	GNSS position
129038	AIS class A position report
129039	AIS class B position report
129040	AIS class B extended position report
129041	AIS aids to navigation (AtoN) report
129539	GNSS DOPs (dilution of precision)
129540	GNSS satellites in view
129793	AIS UTC and date report
129794	AIS class A static and voyage related data
129795	AIS addressed binary message
129797	AIS binary broadcast message
129798	AIS SAR aircraft position report
129801	AIS addressed safety related message
129802	AIS safety related broadcast message
129809	AIS class B "CS" static data report, part A
129810	AIS class B "CS" static data report, part B

### Receive

PGN	Description
059392	ISO acknowledgment
059904	ISO request
060928	ISO address claim
126208	NMEA: Command, request, acknowledge group function

## NMEA® 0183 Sentences Supported

Sentence	Definition
ACA	AIS Regional Channel Assignment Message
ALR	Set alarm state

Sentence	Definition
GGA	Global positioning system fix data
RMC	Recommended minimum specific GNSS data
SSD	AIS ship static data
TXT	Text transmission, general purpose
VDM	AIS VHF data-link message
VDL	AIS VHF data-link own-vessel report
VER	Version
VSD	AIS voyage static data

## Testing for Interference from LED Lights

LED lighting from sources such as navigation lights, searchlights, floodlights, interior and exterior lights, and adornments can interfere with your Garmin AIS™ 800 device. Radio interference can cause poor reception, jam radio signals, and create a safety hazard in emergency situations. You should test for LED interference before mounting the VHF antenna.

### NOTICE

If your LED lights interfere with the Garmin AIS 800 device, you must mount the VHF antenna farther away from the LED lights, or use non-jamming lights.

- 1 Turn off all LED lights.
- 2 Turn on your chartplotter and Garmin AIS 800 device.
- 3 Observe the moving AIS targets on the chartplotter screen for at least one minute.
- 4 Turn on all LED lights.
- 5 Observe the moving AIS targets on the chartplotter screen for at least one minute.  
If most of the moving AIS targets disappear from the screen, the LED lights interfere with the Garmin AIS 800 device reception.

## 物質宣言

部件名称	有毒有害物质或元素									
	铅	汞	镉	六价铬	多溴联苯	多溴二苯醚	邻苯二甲酸二(2-乙基己)酯	邻苯二甲酸丁苄酯	邻苯二甲酸二丁酯	邻苯二甲酸二异丁酯
印刷电路板组件	×	○	○	○	○	○	○	○	○	○
金属零件	×	○	○	○	○	○	○	○	○	○
电缆 电缆组件 连接器	×	○	○	○	○	○	○	○	○	○
塑料和橡胶零件	○	○	○	○	○	○	○	○	○	○

本表格依据 SJ/T11364 的规定编制。

○: 代表此种部件的所有均质材料中所含的该种有害物质均低于 (GB/T26572) 规定的限量

×: 代表此种部件所用的均质材料中, 至少有一类材料其所含的有害物质高于 (GB/T26572) 规定的限量

\* 该产品说明书应提供在环保使用期限和特殊标记的部分详细讲解产品的担保使用条件。



## 联系信息

制造厂商: ASSDEV GmbH

销售厂商: 上海佳明航电企业管理有限公司

联络地址: 上海市徐汇区桂平路 391 号 (新漕河泾国际商务中心 A 座 37 层)

电话: 021-60737675

客服专线: 400-819-1899

© 2018 Garmin Ltd. or its subsidiaries

Garmin® and the Garmin logo are trademarks of Garmin Ltd. or its subsidiaries, registered in the USA and other countries. These trademarks may not be used without the express permission of Garmin.

NMEA®, NMEA 2000®, and the NMEA 2000 logo are registered trademarks of the National Marine Electronics Association.