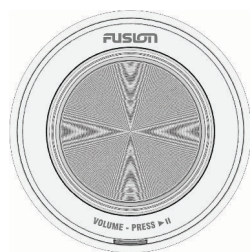


GARMIN®



FUSION® MS-NRX50 INSTALLATION INSTRUCTIONS

Important Safety Information

⚠ WARNING

See the *Important Safety and Product Information* guide in the product box for product warnings and other important information.

Failure to install this device according to these instructions could result in personal injury, damage to the vessel or device, or poor product performance.

⚠ CAUTION

To avoid possible personal injury, always wear safety goggles, ear protection, and a dust mask when drilling, cutting, or sanding.

NOTICE

When drilling or cutting, always check what is on the opposite side of the surface to avoid damaging the vessel.

Getting the Owner's Manuals

To fully understand the features and operations of your stereo, you can get the latest stereo owner's manual and translations of manuals from the web.

- 1 Go to support.garmin.com.
- 2 Select a manual.

Tools Needed

- Phillips screwdriver
- Drill
- 2.5 mm ($\frac{3}{32}$ in.) drill bit
- 38 mm (1.50 in.) hole saw
- Marine sealant (optional)

Connection Considerations

You can connect the MS-NRX50 remote control to a Fusion stereo using one of two methods, depending on the stereo:

- A new Fusion remote control network
- An existing NMEA 2000® network

The main difference between a Fusion remote control network and a NMEA 2000 network is how they receive power. A NMEA 2000 network receives power through a power cable connected to the backbone and a power source.

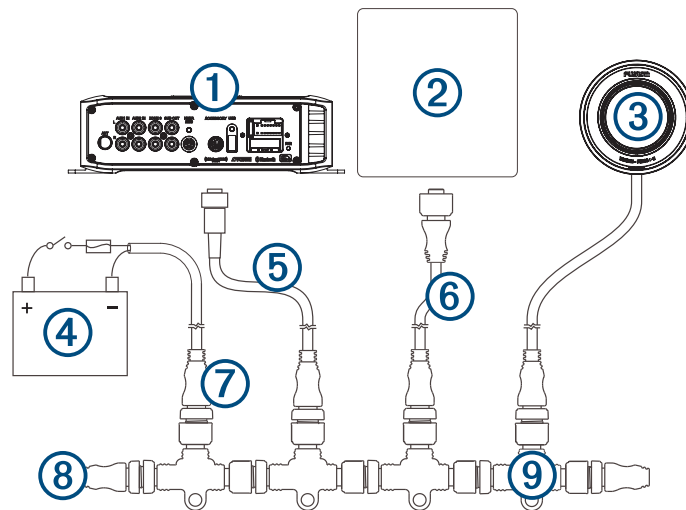
A Fusion remote control network receives power from the stereo. If the stereo cannot supply power to the Fusion remote control network, you must connect the MS-NRX50 remote control using the NMEA 2000 network.

The MS-NRX50 controls all zones on a connected stereo and cannot be assigned to a single zone. The MS-NRX50 supports zone ratios on compatible stereos that support this feature.

NMEA 2000 Connection Considerations

You can connect the remote control to the stereo using an existing NMEA 2000 network.

- You can connect three or more MS-NRX50 remote controls to one Fusion stereo.
- You can connect to a Fusion stereo that cannot provide power to the remote.
- You can control a connected Fusion stereo from a FUSION-Link™ compatible chartplotter.



Item	Description
①	Fusion stereo
②	Compatible chartplotter
③	MS-NRX50 remote control*
④	12 Vdc power source with an ignition or inline switch
⑤	NMEA 2000 drop cable and T-connector, depending on the stereo
⑥	NMEA 2000 drop cable
⑦	NMEA 2000 power cable, 2 m (6 ft.)
⑧	NMEA 2000 terminator or backbone cable
⑨	NMEA 2000 T-connector

*Components included with the MS-NRX50 remote control.

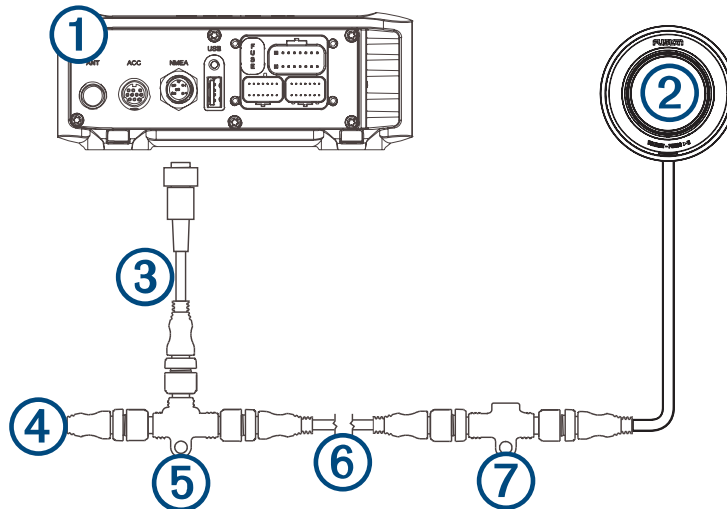
NOTE: The NMEA 2000 network may include other NMEA 2000 devices.

The MS-NRX50 device is intended to be used on networks that have only one stereo. The device may not work correctly if you have multiple stereos connected to your network.

Fusion Remote Control Network Connection Considerations

You can connect the remote control to the stereo using a standalone powered Fusion remote control network if you have the following conditions.

- You do not have a full NMEA 2000 network on your boat.
- You are connecting three or fewer MS-NRX50 remote controls to one Fusion stereo.
- You are connecting to a Fusion stereo that can provide power to the remote. The stereo can supply power to the remote control if it has an NRX POWER option in the SETTINGS menu.



Item	Description
①	Fusion stereo
②	MS-NRX50 remote control*
③	NMEA 2000 drop cable
④	NMEA 2000 female terminator
⑤	NMEA 2000 T-connector
⑥	NMEA 2000 backbone cable, 6 m (20 ft.)
⑦	NMEA 2000 inline terminator

*Components included with the MS-NRX50 remote control.

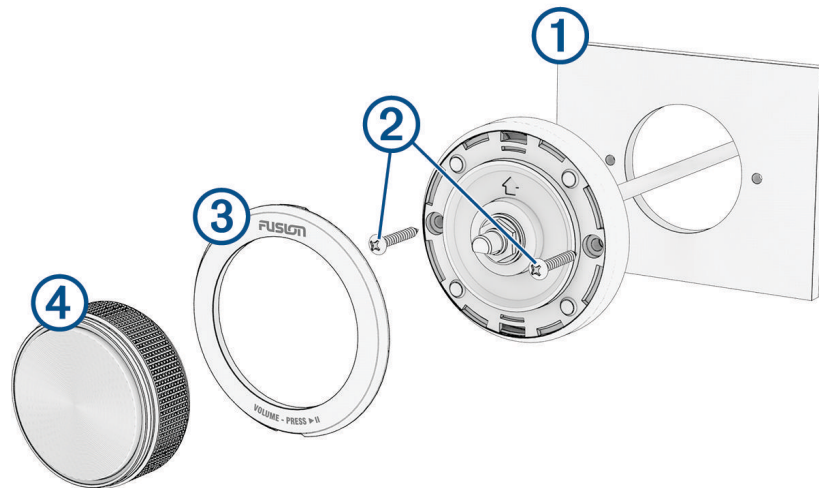
Mounting Considerations

When selecting a mounting location, observe these considerations.

- The device must be mounted in a location where there is at least 25 mm (1 in.) of clearance behind the mounting surface and you can access the connection after it is mounted.
- When drilling pilot holes, use the device to mark the pilot holes only. Do not drill through the device.
- If you want to mount the device outside the boat, it must be mounted in a location well above the waterline, where it is not submerged.
- If you want to mount the device outside the boat, it should be mounted in a location where it will not be damaged by a docks, pilings, or other pieces of equipment.

Mounting the Remote Control

- 1 At the mounting location ①, use a 38 mm (1.50 in.) hole saw to cut through the mounting surface.



- 2 Place the remote control in the cutout with the alignment arrow pointing upward (12 o'clock position) and mark the pilot holes.
- 3 Remove the remote control from the cutout, and using a 2.5 mm ($\frac{3}{32}$ in.) drill bit, drill the pilot holes.
- 4 Apply marine sealant around the cutout (optional).
- 5 Feed the attached NMEA 2000 cable through the cutout.
- 6 Place the remote control into the cutout.
- 7 Secure the remote control to the mounting surface using the included screws ②.
- 8 Position the trim ring ③ with the Fusion logo at the top (12 o'clock position) and press the trim ring firmly onto the remote control.
- 9 Align the volume dial ④ with the shaft of the remote control and press the volume dial on firmly.
- 10 Route the NMEA 2000 cable away from sources of interference and connect it to the NMEA 2000 network or the Fusion remote control network.

Adjusting the Volume

- Rotate the dial to adjust the volume level.
 - **All tuner sources:** Press the dial to mute or unmute the audio.
 - **BLUETOOTH or USB sources:** Press the dial to pause or resume the current track.
- NOTE:** When muted or paused, the LED ring flashes slowly.

LED Status Reporting

A white LED ring behind the dial illuminates to display the status and mode of the remote control.

- **ON:** Compatible stereo detected.
- **TWO FLASHES, PAUSE, REPEAT** (30 seconds after booting): No compatible stereo detected.
- **FLASHES SLOWLY:** Stereo is muted or paused.

Setting the LED Ring Brightness

- 1 Press and hold the dial for three seconds until the LED ring flashes three times to enter programming mode.
- 2 Rotate the dial to the desired brightness intensity.
- 3 Press and hold the dial for three seconds to save the setting and exit programming mode (the LED ring flashes three times).

NOTE: Programming mode also exits automatically after fifteen seconds of inactivity.

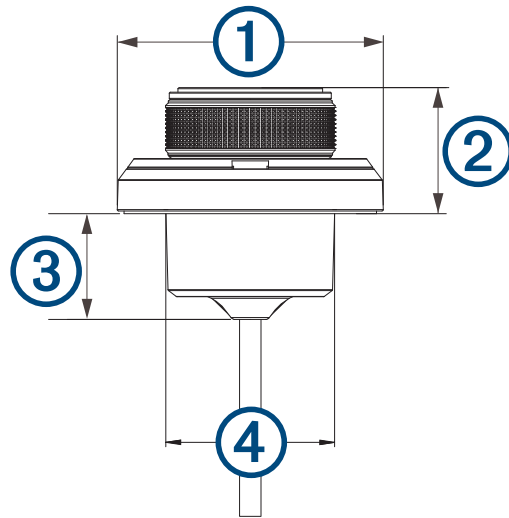
More Information

Specifications

Specification	Measurement
Operating voltage	From 10 to 16 Vdc negative ground
Electrical input current	100 mA at 12 Vdc
NMEA 2000 Load Equivalency Number (LEN)	2 (100 mA)
Operating temperature	From 0 to 50°C (from 14 to 140°F)
Storage temperature	From -40 to 85°C (from -40 to 185°F)
Compass-safe distance	10 cm (3.94 in.)
Water rating	IEC 60529 IPX7 ¹

¹ The device withstands incidental exposure to water of up to 1 m for up to 30 min. For more information, go to www.garmin.com/waterrating.

Top Dimensions



Item	Measurement
①	60 mm (2.35 in.)
②	28 mm (1.11 in.)
③	24 mm (0.93 in.)
④	37 mm (1.46 in.)

物質宣言

部件名称	有毒有害物质或元素									
	铅	汞	镉	六价铬	多溴联苯	多溴二苯醚	邻苯二甲酸二(2-乙基己)酯	邻苯二甲酸丁苄酯	邻苯二甲酸二丁酯	邻苯二甲酸二异丁酯
印刷电路板组件	✗	○	○	○	○	○	○	○	○	○
金属零件	✗	○	○	○	○	○	○	○	○	○
电缆 电缆组件 连接器	✗	○	○	○	○	○	○	○	○	○
塑料和橡胶零件	○	○	○	○	○	○	○	○	○	○

本表格依据 SJ/T11364 的规定编制。

○: 代表此种部件的所有均质材料中所含的该种有害物质均低于 (GB/T26572) 规定的限量

✗: 代表此种部件所用的均质材料中, 至少有一类材料其所含的有害物质高于 (GB/T26572) 规定的限量

* 该产品说明书应提供在环保使用期限和特殊标记的部分详细讲解产品的担保使用条件。



产品

© 2025 Garmin Ltd. or its subsidiaries

Garmin®, the Garmin logo, Fusion®, and the Fusion logo are trademarks of Garmin Ltd. or its subsidiaries, registered in the USA and other countries. These trademarks may not be used without the express permission of Garmin.

NMEA 2000®, and the NMEA 2000 logo are registered trademarks of the National Marine Electronics Association. Other trademarks and trade names are those of their respective owners.

M/N: A04138

多媒体控制器

多媒體控制器