



PRIMACY® S3 STAND

Installation Instructions

Important Safety Information

WARNING

See the *Important Safety and Product Information* guide in the product box for product warnings and other important information.

This device must be installed according to these instructions. Failure to install this device in accordance with these instructions could result in serious personal injury, damage to the device, or poor product performance.

To avoid possible serious personal injury or damage to the device, disconnect the speaker's power cord during installation of the device.

Handle with care, especially when positioning the device before normal use or when relocating for service. Failure to use caution when positioning the device could cause the device to tip, resulting in crushed body parts or other severe injury.

To avoid potential injury or property damage, a two-person lift is required.

During normal use, the speaker should be placed on a level surface to avoid tipping, which could cause potential product damage or severe personal injury.

NOTICE

To prevent possible product damage, do not position the device near other sources of heat, such as radiators, heat registers, stoves, or fireplaces.

During normal operation, the device should be placed on a level surface to avoid instability.

When selecting a suitable location for the speaker, make sure the full weight of the stand and speaker can be supported.

Route all speaker cables and the power supply cable to avoid being walked on or pinched by items placed on or against them.

CAUTION

For best possible performance and to avoid potential injury, damage to the device, or other property damage, installation by a professional installer is recommended.

You must read all installation instructions before beginning the installation. If you experience difficulty during the installation, go to support.garmin.com for product support.

Tools Needed

- Torque screwdriver and hex bits


Identifying the Contents

CAUTION

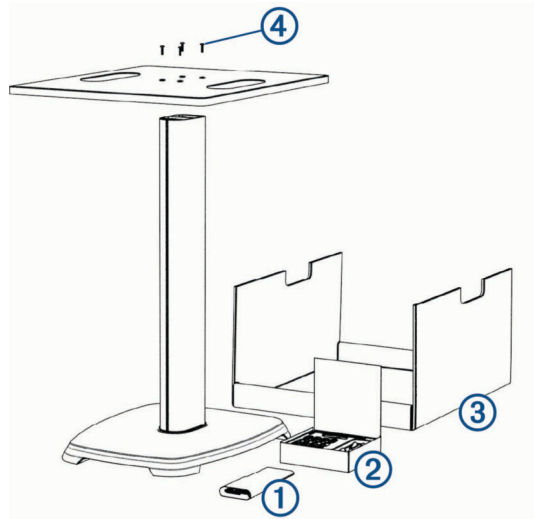
To avoid potential injury or property damage, a two-person lift is required.

- 1 Remove the accessory box and top foam insert from the internal packaging.

The accessory box contains the spare hardware packet and floor spikes kit.

- The spare hardware packet  contains spare screws and two hex keys. You should use the spare screws if the original screws are damaged during installation.

- The floor spikes kit ② contains optional spikes for use on different surfaces (*Optional Floor Spikes*, page 4).



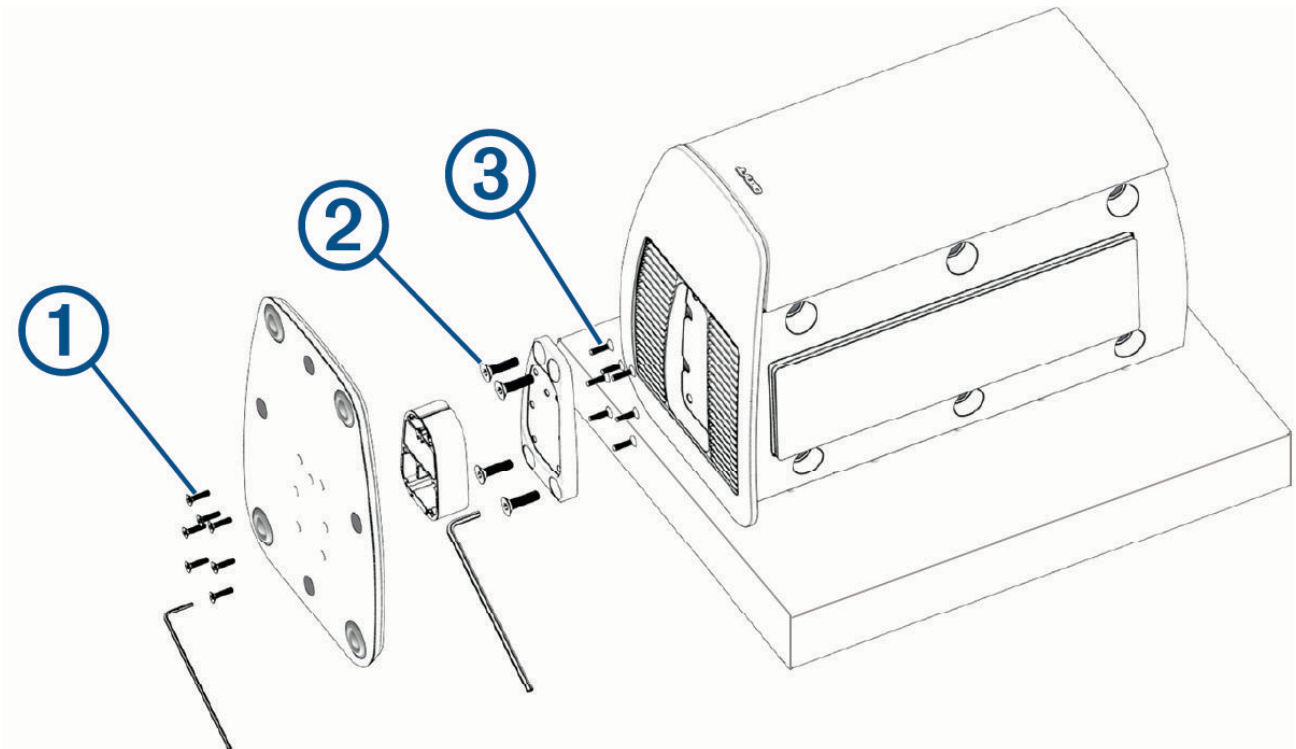
- 2 Using the two cutouts in the top wooden panel as handles, carefully lift and remove the stand from the carton.
- 3 Open the cardboard wrap ③ at the base of the stand and remove the stand from the bottom foam insert.
- 4 Using the included hex key, remove and discard the top wooden panel ④ from the stand.

Preparing the Speaker

⚠ CAUTION

To avoid potential injury or property damage, a two-person lift is required.

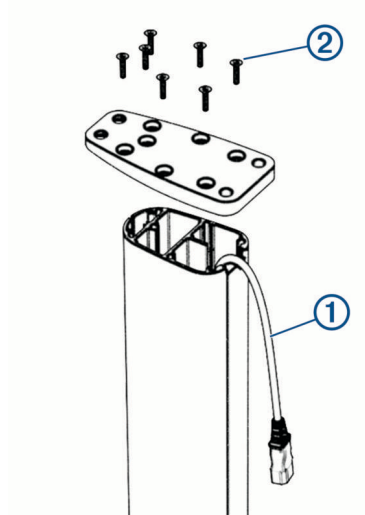
- 1 Remove the speaker's top panel and both side panels.
- 2 Flip the bottom foam insert over and place it on the ground near the speaker's final location.
- 3 Carefully place the speaker with its back facing down on the bottom foam insert.
- 4 Using the included hex key, remove the speaker's base ①.



- 5 Using the included hex key, remove the speaker's post ②.
- 6 Using the included hex key, remove the top plate ③ from the speaker's post.
You must save and reuse the screws from the speaker's post and top plate.

Preparing the Stand

- 1 Route the speaker's power and connection cables through the stand's post ①.



- 2 Using the included hex key, attach the top plate to the stand using the screws ② that were removed from the top of the speaker's post.
- 3 Using a torque screwdriver, tighten the screws to 4.5 N-m (40 in-lbs).

Attaching the Stand

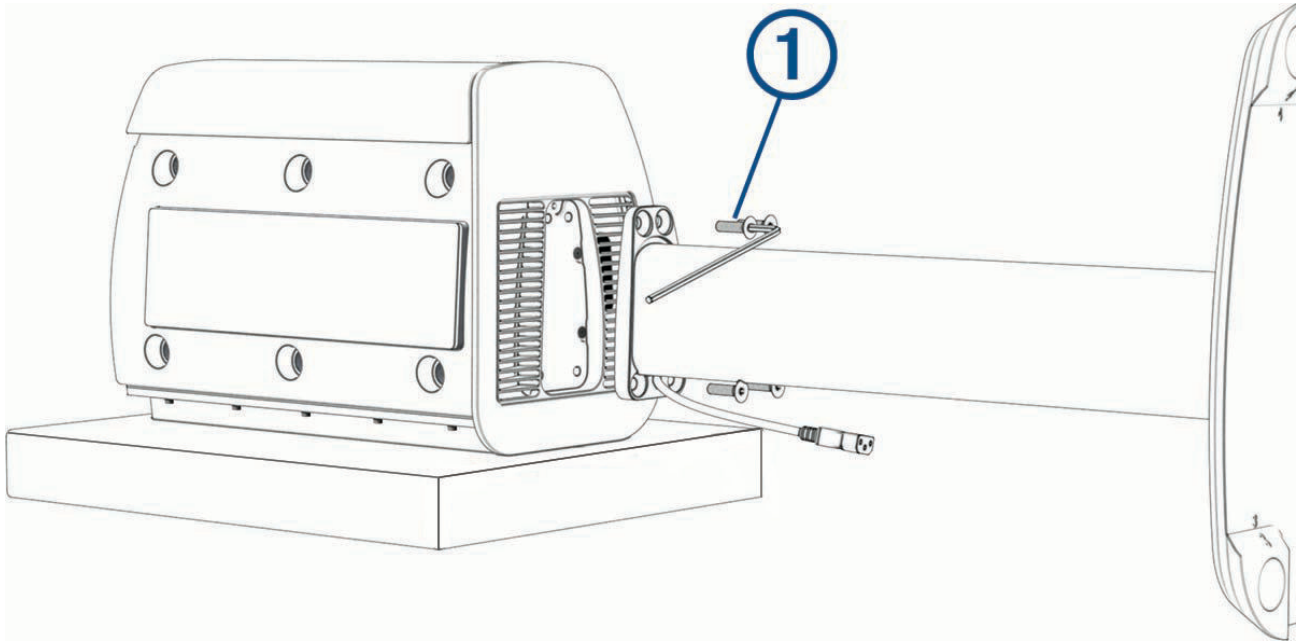
⚠ WARNING

Handle with care, especially when positioning the device before normal use or when relocating for service. Failure to use caution when positioning the device could cause the device to tip, resulting in crushed body parts or other severe injury.

⚠ CAUTION

To avoid potential injury or property damage, a two-person lift is required.

- 1 Carefully lay the stand backward, and align the stand's top plate with the receiver in the speaker's bottom.
- 2 Using the included hex key, attach the stand to the speaker using the screws ① that were removed from the bottom of the speaker's top plate.



- 3 Using a torque screwdriver, tighten the screws to 9 N-m (80 in-lbs).
- 4 If necessary, install the optional floor spikes ([Optional Floor Spikes, page 4](#)).
- 5 Carefully lift the speaker upright.
- 6 Reconnect the speaker's power and connection cables.
- 7 Reinstall the speaker's top panel and side panels.

Optional Floor Spikes

⚠ WARNING

Handle with care, especially when positioning the device before normal use or when relocating for service. Failure to use caution when positioning the device could cause the device to tip, resulting in crushed body parts or other severe injury.

⚠ CAUTION

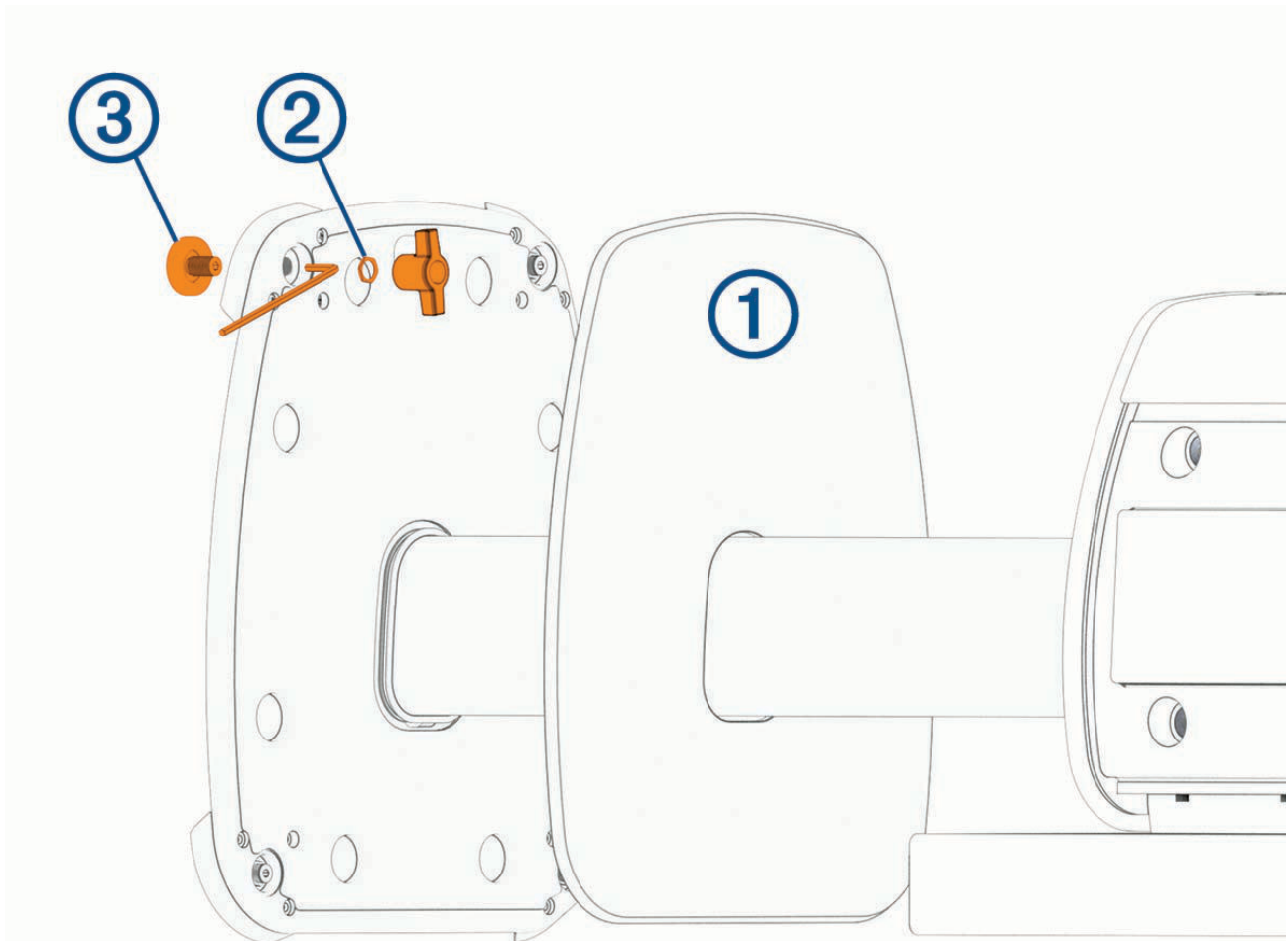
To avoid potential injury or property damage, a two-person lift is required.

The preinstalled feet are designed for use on most surfaces. For improved decoupling from the floor, two sets of optional floor spikes are included. The short spikes are designed for use on hard floor surfaces. The long spikes are designed for use on carpeted surfaces and provide increased stability. Before installing the floor spikes, you must remove the preinstalled feet ([Removing the Preinstalled Feet, page 4](#)).

Removing the Preinstalled Feet

Before removing the preinstalled feet, the assembled speaker and stand must be laying down on the ground at its final location.

- 1 Slide top acrylic panel ① up the post at least 305 mm (12 in.).

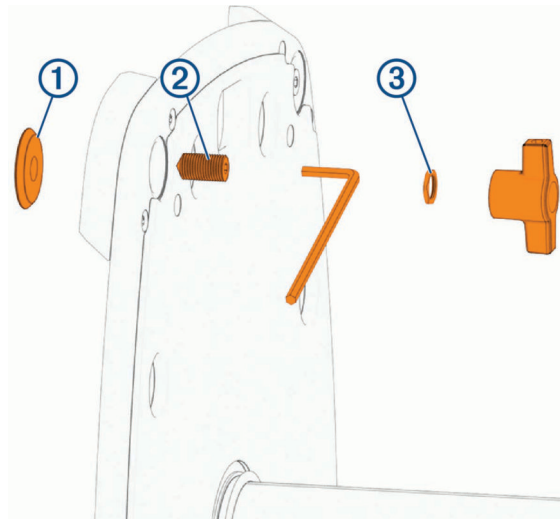


- 2 Using the included socket tool, remove the panel nut ② from each corner.
- 3 Using the included hex key, turn each foot ③ clockwise until it is removed from each corner.
- 4 Select an option:
 - To use the speaker on hard floor surfaces, install the short spikes (*Installing the Short Spikes, page 5*).
 - To use the speaker on carpeted floor surfaces, install the long spikes (*Installing the Long Spikes, page 6*).

Installing the Short Spikes

NOTE: You must remove the preinstalled feet before installing the short spikes (*Removing the Preinstalled Feet, page 4*).

- 1 Press one round floor protector ① into the recess under each corner.

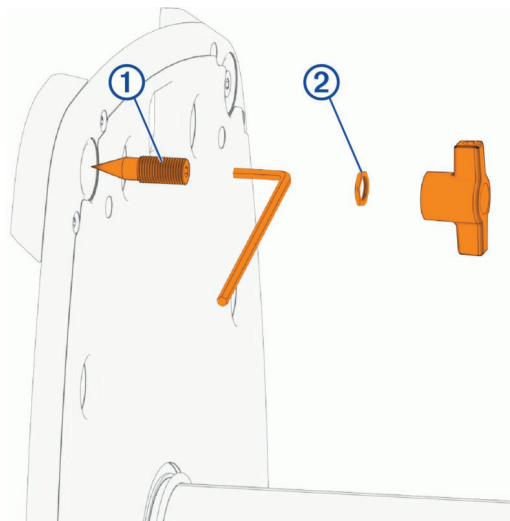


- 2 Using the included hex key, thread one short spike ② approximately five revolutions into the threaded hole at each corner.
- 3 Carefully lift the speaker upright.
- 4 Tighten the short spike until the floor protector drops directly below.
- 5 Using the included hex key, adjust each short spike gradually until the desired level and height of the speaker is reached.
- 6 Using the included socket tool, install one panel nut ③ onto each short spike to lock its position.
- 7 Lower the top acrylic panel down onto the base.

Installing the Long Spikes

NOTE: You must remove the preinstalled feet before installing the long spikes (*Removing the Preinstalled Feet*, page 4).

- 1 Using the included hex key, thread one long spike ① at least five revolutions into the threaded hole at each corner.



- 2 Carefully lift the speaker upright.
- 3 Using the included hex key, adjust each long spike gradually until the desired level and height of the speaker is reached.
- 4 Using the included socket tool, install one panel nut ② onto each long spike to lock its position.
- 5 Lower the top acrylic panel down onto the base.

Dimensions

Height	690 mm (27.18 in.)
Width	378 mm (14.9 in.)
Depth	467 mm (18.4 in.)

© 2026 Garmin Ltd. or its subsidiaries

Garmin®, the Garmin logo, JL Audio®, and Primacy® are trademarks of Garmin Ltd. or its subsidiaries, registered in the USA and other countries. These trademarks may not be used without the express permission of Garmin.

M/N: A0P3361